

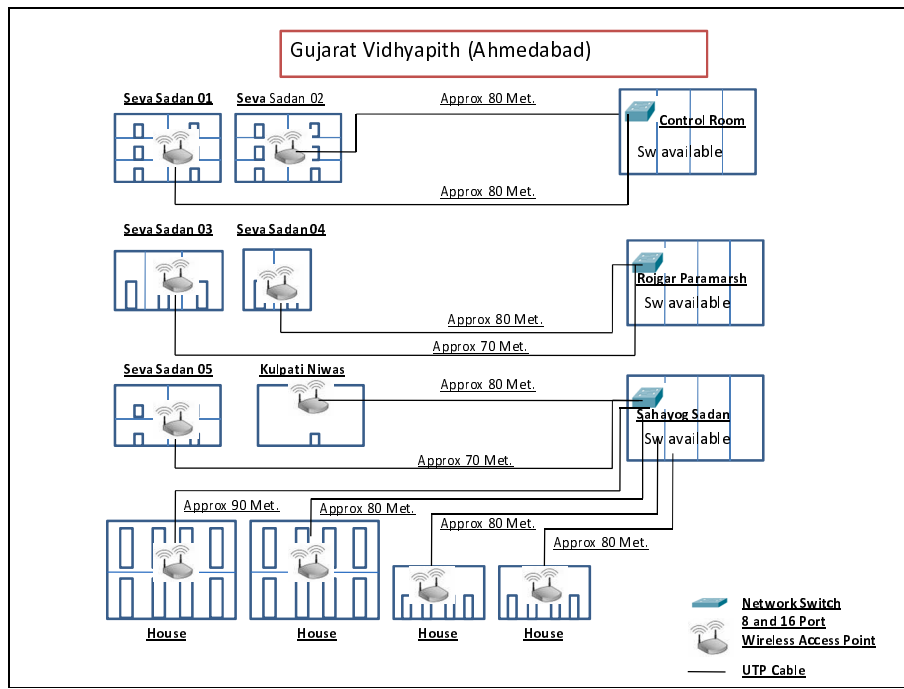
GUJARAT VIDYAPITH
ASHRAM ROAD, AHMEDABAD – 380014
Phone No : 40016200 / 40016325 Fax No : 27542547
Website: www. Gujaratvidyapith.org

Name – Letter of intend for Wireless Connectivity

Gujarat vidyapith invites intend letters from interested reputed firms/ Manufacturer/ authorized dealer for WI-FI Connection (Wireless connectivity) at our three campus staff quarters as below.

(1) Gujarat vidyapith, Ashram Road, Ahmedabad- 380014

(A) Connectivity Diagram



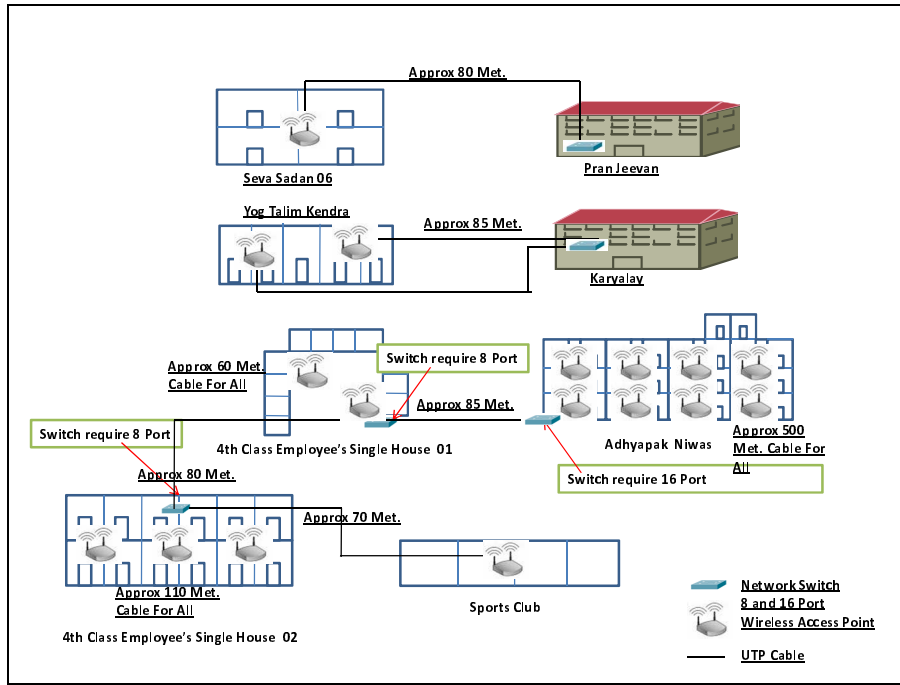


Figure -1: GVP- Ahmedabad Building Wireless Connectivity Diagram

Contact Person for site visit :-

(1) **Mr. Kamleshbhai Salunke** (M) 9426989955 (O) 079-40016328

Computer Center, Gujarat vidyapith, Ahmedabad.

Time 11:30 to 5:00Pm (Monday to Saturday) (excluding holiday)

(2) **Mahadev Desai Mahavidyalaya, Randheja, Dist : Gandhinagar**

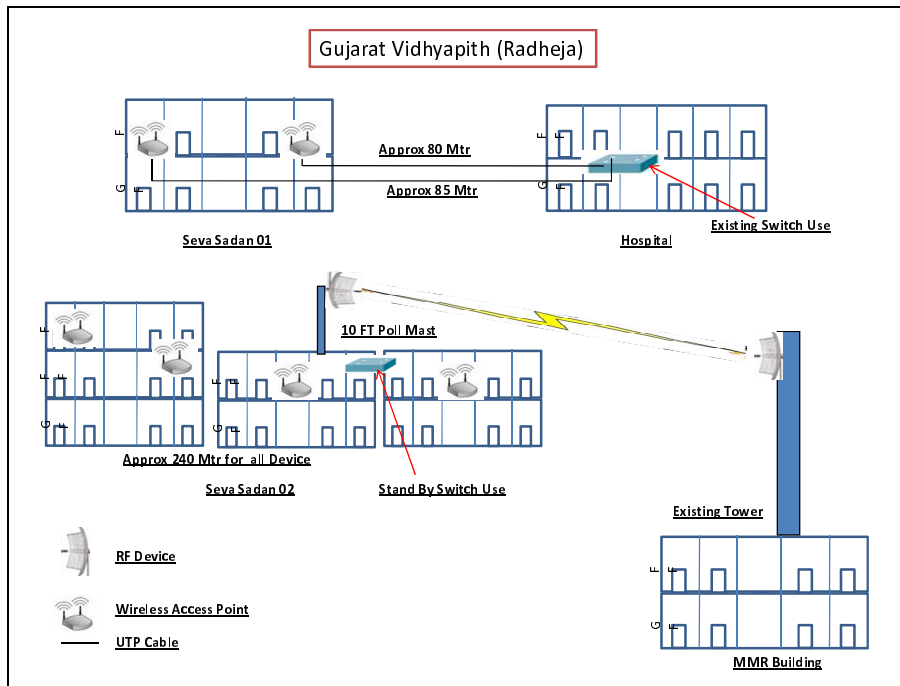


Figure -2: GVP- Radheja Building Wireless Connectivity Diagram

Contact Person for site visit :-

(1) **Mr. Satish patel** (Mo.) 9426412821 (O)079-22975428

Time 11:30 to 5:00Pm (Monday to Saturday) (excluding holiday)

(1) Mahadev Desai Gramseva Mahavidyalaya, Sadra, Dist - Gandhinagar.

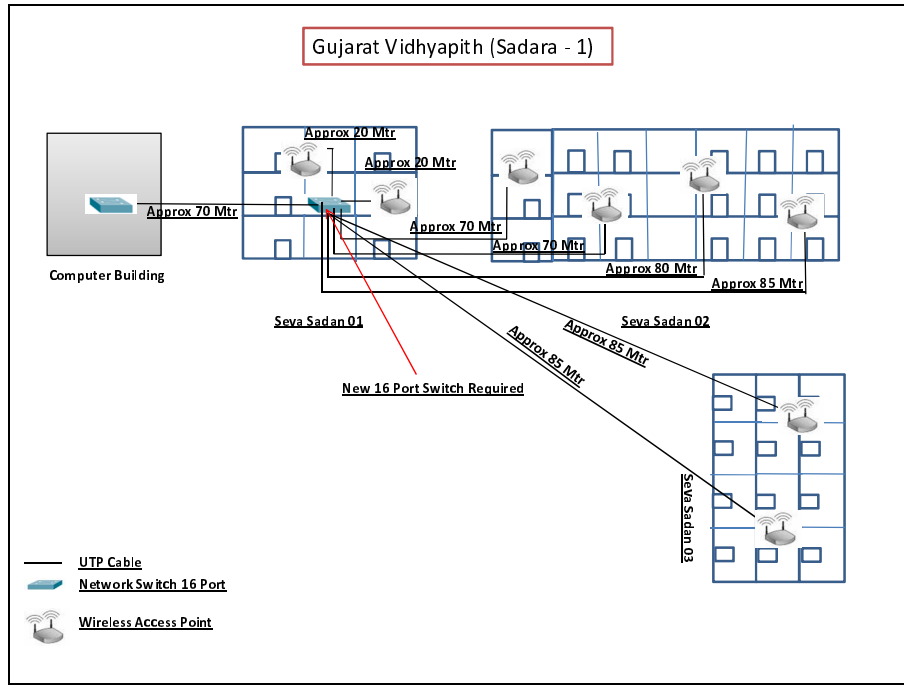


Figure -3: GVP- Sadara -1 Building Wireless Connectivity Diagram

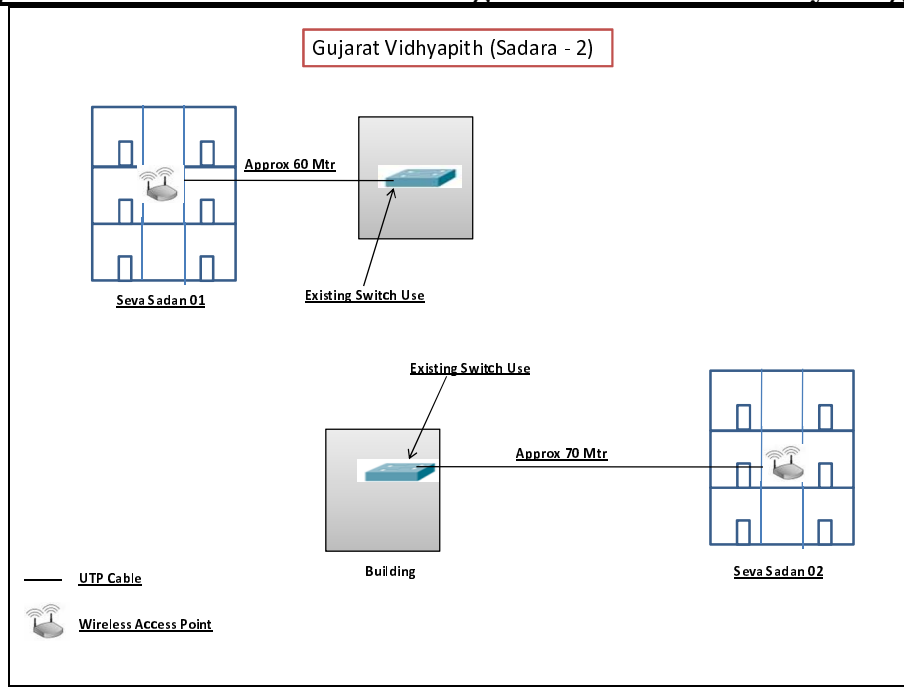


Figure -4: GVP- Sadra-2 Building Wireless Connectivity Diagram

Contact Person for site visit :-

(2) Mr. Milanbhai Bhatt

(Mo.) 9427146104

(O) 079- 23274228

Time 11:30 to 5:00Pm (Monday to Saturday) (excluding holiday)

After site visit the interested parties may send intend letter for wireless connection at Three Campus before date 11-02-2012

Qualification Criteria

- 1.** The Bidder should have carried out similar installations at minimum 3 Sites. A copy of purchase order and certificate of successful completion from customer should be submitted.
- 2.** The Bidder should be ISO 9000:2008 certified for Quality System in Networking & System Integration business.
- 3.** The bidder also should have full technical competence for maintaining the LAN and wireless network systems. Bidder would submit customer feedback for satisfactory installation and maintenance.
- 4.** The bidder should have at least 30 Skilled Engineers / Manpower, bidder would submit list of resources.
- 5.** The Bidder should have required Tools.
- 6.** The Bidder, other than sole agents in India of the manufacturers, must submit a letter of authority from manufacturers that they have been authorized to quote on behalf of the manufacturer.
- 7.** The Bidder must have a sum of Rs 10 Crores of audited turnover for the past three years.
- 8.** The Bidder should have local presence and should have office in Ahmadabad / Gandhinagar.
- 9.** Submit detail information with technical Specification and quantity , diagrams. As per bidder plane for Gujarat vidyapith Wireless network.
- 10.** The GUJARAT VIDYAPITH shall have absolute right to accept any letter or to reject all the letters without assigning any reason. This also includes to accept or to reject.

Date :- 18-01-2012

(Dr. Rajendra Khimani)
Registrar

GUJARAT VIDYAPITH
ASHRAM ROAD, AHMEDABAD – 380014
PhoneNo : 40016200 / 40016336 Fax No : 27542547
Website : www. Gujaratvidyapith.org

Name – Letter of intend for Wireless Connectivity

(To be submitted in technical bid cover)

- (1) **Name of organization/party :**
- (2) **Address** : (1) **Office :**
(2) **Residence :**
- (3) **Telephone No** : (1) **Office :**
(2) **Residence :**
- (4) **Sales tax No** :
- (5) **VAT NO** :
- (6) **Incometax (PAN)No.** :
- (7) **Client List** :

Signature of the tenderer/agency

Name of the tenderer/agency

Seal of the tenderer/agency

Place:

Date: